

Gel seal for the round cable ports of FIST-GCO2-BX and FX splice closure

Content

1 General

2 Kit contents

3 Installation

- 3.1 General
- 3.2 FIST-GCO2-BX
- 3.3 FIST-GCO2-FX

1 General

This kit is used to install up to 16 drop cables without strength member but with or without aramid yarn of max. 3 mm in one new unused round port of a FIST-GCO2-BX and -FX.

Comment: depending on outside conditions some oil bleed-out may occur. This will not affect in any way the sealing performance.

2 Kit contents



Kit content FIST-GCO2-BX6



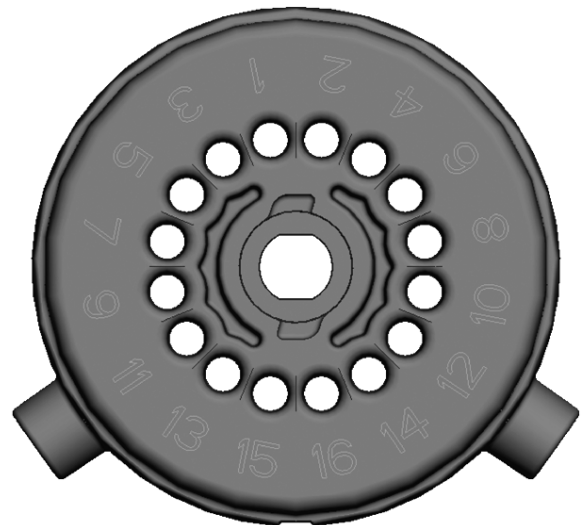
Kit content FIST-GCO2-FX/BX8

- Note:** The lubrication oil in the kit makes it easier to
- install gel-seal in the closure ports
 - guide cables through ports in the gel-seal.

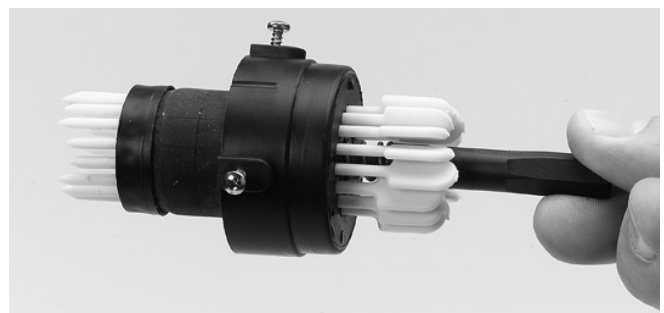
3 Installation

3.1 General

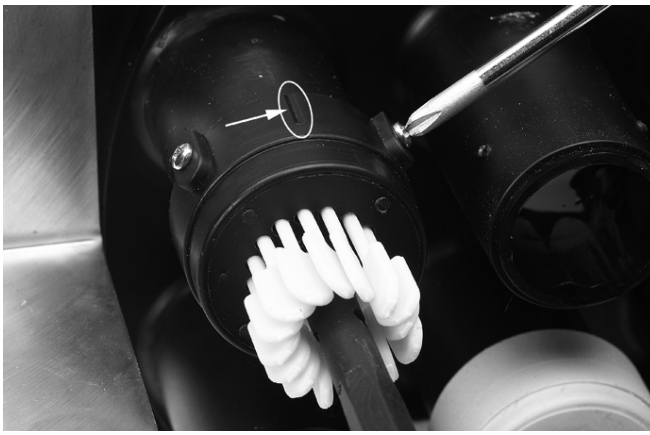
| Thermoplastic gel seals | |
|-------------------------|------------------|
| Number of ports | Cable range (mm) |
| 1 | 11-14 |
| 2 | 8-11 |
| 3 | 6,5-8 |
| 4 | 4-7 |
| 8 | 3-5 |
| 16 | 0-3 |
| FOSC-OSKG | 6-15 |
| FIST-OSKG | 5-18 |
| FIST-OSKG20 | 16-20 |



3.1.1 Always install at bottom first working upwards. This means that sometimes first cable will enter in no. 1, sometimes in no. 16.

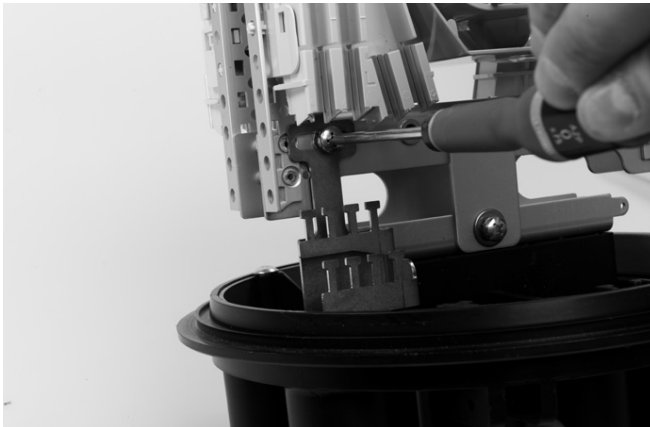


3.1.2 Before installing the gel seal in the port, install the 2 fixation screws and all blind plugs.

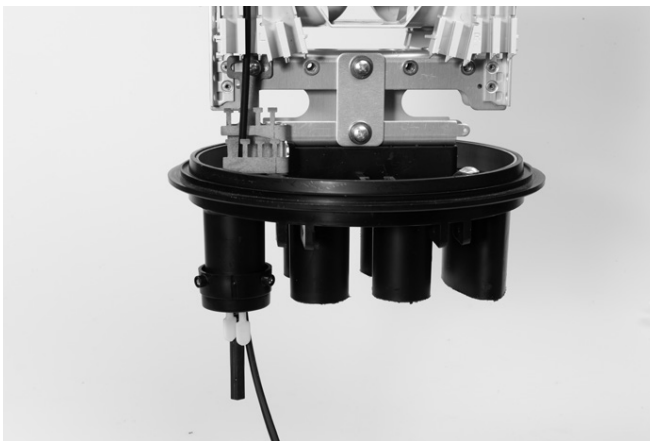


3.1.3 Open the port. The cutting wire can be used. Make sure edges are free of burrs. Install the seal in the port, marking line always facing forward. The mark line on the gel seal should match with the mark line on the FIST-GCO2-Fx drop port (mark at the FIST-GCO2-Fx should be invisible when seal is installed). Tighten the 2 screws. Make sure the screws grip in the port.

3.2 Cable fixation in the FIST-GCO2-BX

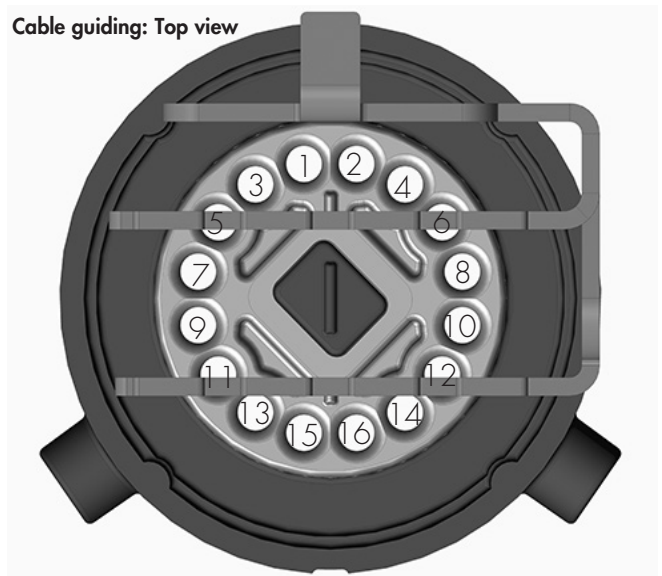


3.2.1 Install the bracket as shown. Make sure it is positioned at the center of the port.



3.2.2 Remove blind plug in gel seal and feed the cable through the seal.

Cable guiding: Top view

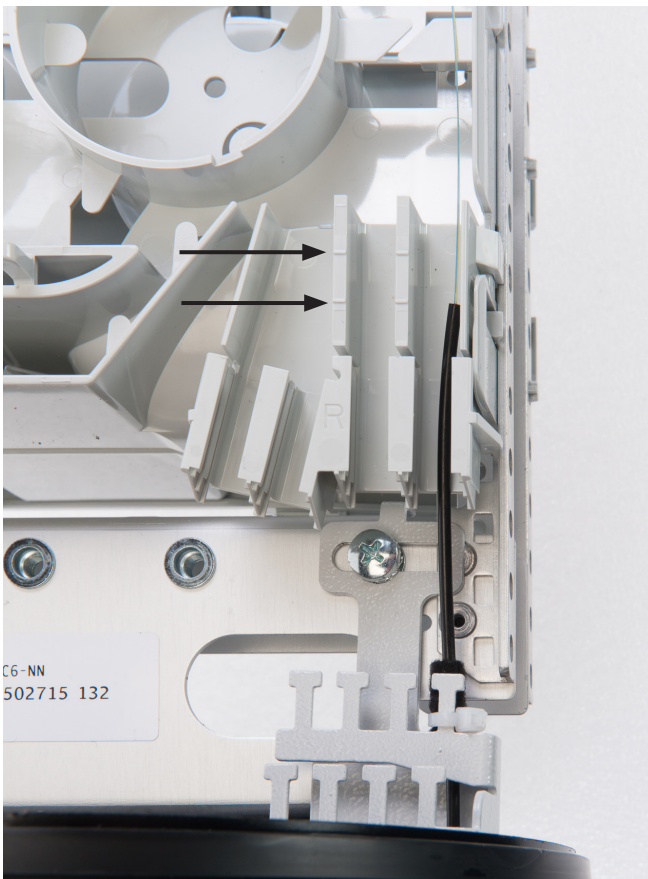


3.2.3 Guide the cables to a suitable securing leg on the metal bracket, with 2 cables going to 1 securing leg. Cable should go as straight as possible through the gel seal.

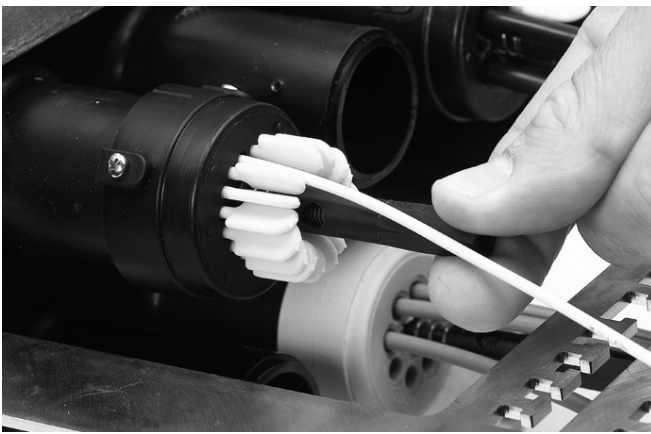
Note: On some ports it may not be possible to use all securing legs, in that case more than 2 cables will have to be led to a securing leg.



3.2.4 Remove the necessary jacket length and apply some felt tape. Necessary jacket length is defined by length from markers in FAS block to securing leg on metal bracket as shown in 3.2.5.

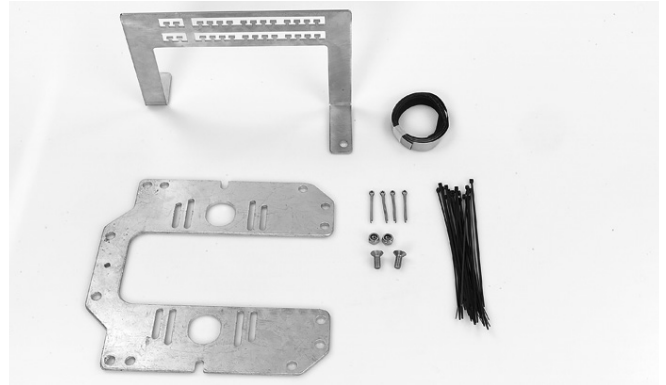


3.2.5 Pull back and secure the cable with 1 tie-wrap to the bracket. Cable jacket should end between the 2 markers in the tube holder, as shown in the picture.



3.2.6 Tighten the trigger till it butts up with the flange (locking system). The spring should be hidden after tightening.

A Optional: FIST-GCO2-BX6-EXT/CF GCO2-BX cable securing frame



A1 A cable securing frame can be mounted onto the MOBRA (bolt and nut). This allows cables to be secured outside the closure.



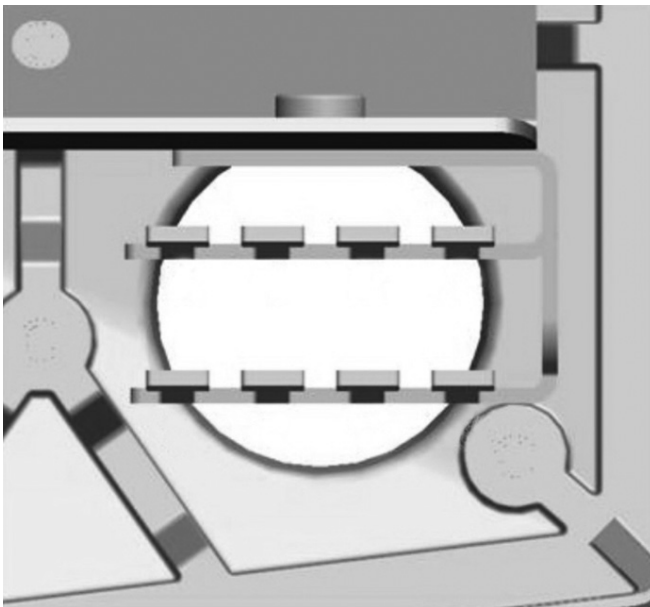
A2 Apply some foam to the cable(s) and fix with tie-wrap(s) to the frame.

3.3 Cable fixation in the FIST-GCO2-FX/BX8

Start with port 3 and 8.



3.3.1 Fix the metal bracket to the frame. Make sure it is positioned at the center of the port.



3.3.2 Remove a blind plug in the gel seal and feed the cable through the seal. Guide cables to the metal bracket and fix to appropriate securing leg. 2 cables have to be fixed at 1 securing leg.

3.3.3 For installation of cables go to point 3.2.4.

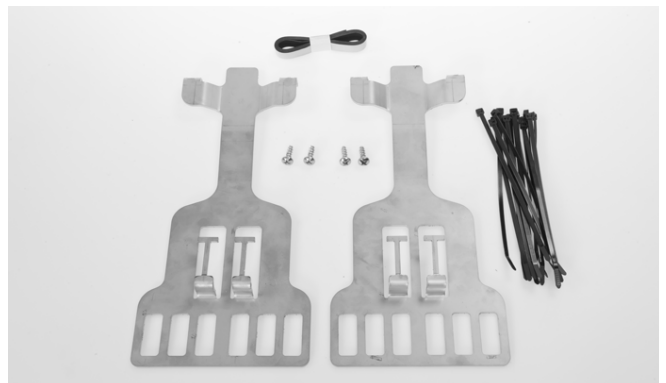
**B Optional: FIST-GCO2-FX6-EXT/CF
FIST-GCO2-FX cable securing frame.**



B1 A cable securing frame can be mounted onto the base of the FIST-GCO2-FX with 2 screws. This allows cables to be secured outside the closure.

C Optional: FIST-GCO2-BX8

FIST-GCO2-BX8 cable securing frame



C1 A cable securing system can be mounted on to the base of the FIST-GCO2-BX8 with 4 screws. This allows cables to be secured outside the closure.



C2 Apply some foam to the cable(s) and secure with tie-wrap(s) to the frame.